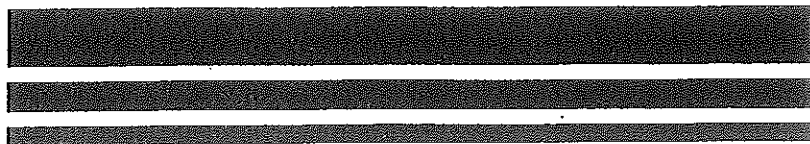
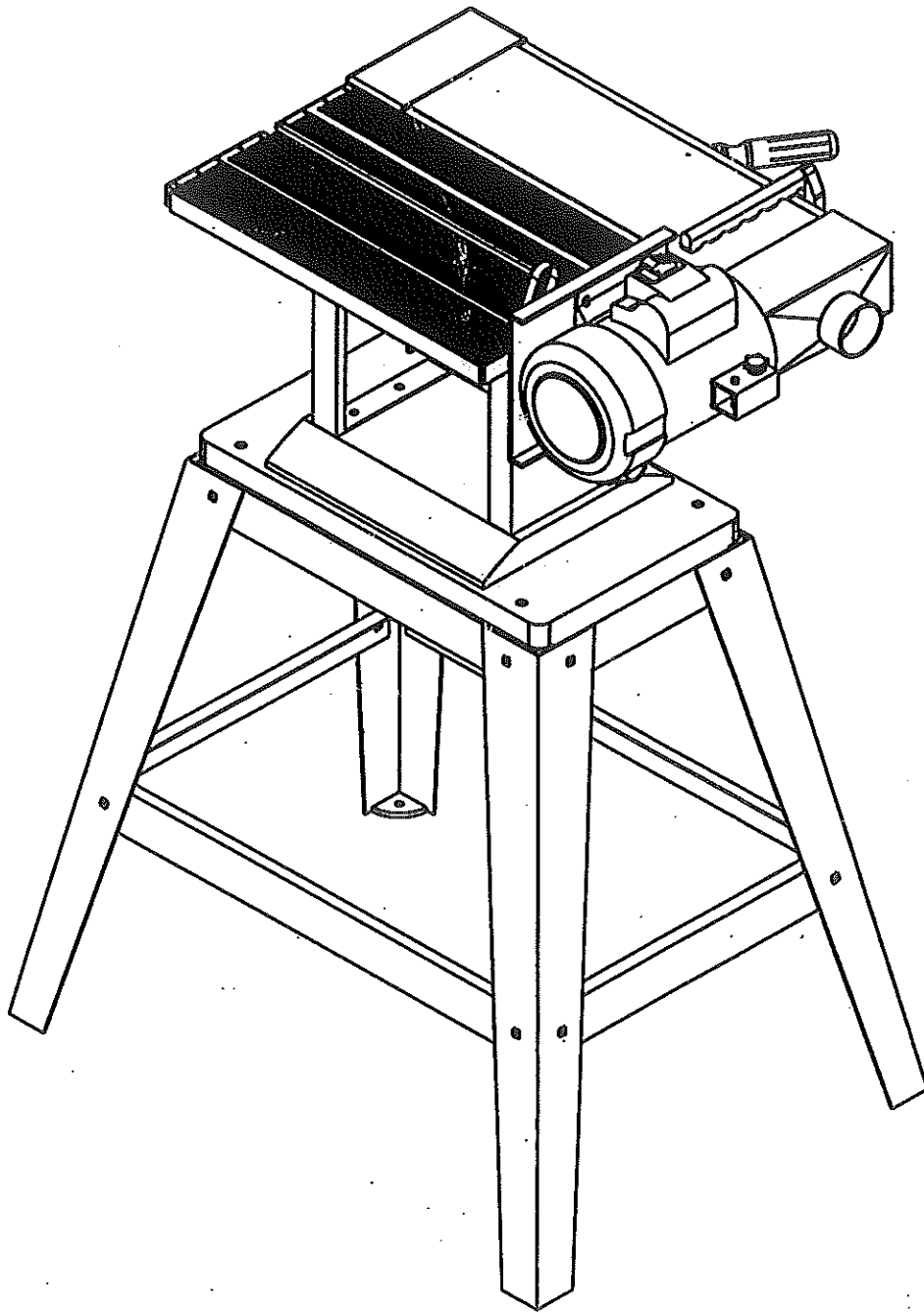


Boy-6x48

Horizontal / Vertical Sander



READ CAREFULLY BEFORE OPERATING THE MACHINE

1. Learn the machine's applications and limitations, as well as the specific potential hazards particular to this machine. Follow available safety instructions and safety rules carefully.
2. Keep working area clean and be sure adequate lighting is available.
3. Do not wear loose clothing, gloves, bracelet, necklaces or ornaments. Wear face, eye, ear respiratory and body protection devices, as indicated for the operation or environment.
4. Keep hands well away from sanding belt and all moving parts, Do not clear chips and sawdust away with hands. Use a brush.
5. Make sure the belt is moving at operation speed before sanding.
6. Do not push the sanding belt too hard. The belt will perform better and be safer working at the rate for which it was designed.
7. Be sure to use a dust collector with shaving hood to minimize health hazards.
8. Never leave the machine with power on.
9. Keep children away. Make sure that visitors are kept at a safe distance from the work area.
10. Use recommended speed sanding accessory, and workpiece material.
11. Never stand on tool. Serious injury could occur if the tool is tipped or if the sanding tool is unintentionally contacted.
12. Be sure sanding belts are securely locked in the machine.
13. Use suitable support if stock does not have a flat surface.
14. Do not force the machine. It will do the job better and be safer at a rate for which it was designed.
15. Keep guards in place and in working order. If a guard must be removed for maintenance or cleaning, make sure it is properly attached before using the tool again.
16. Never process metal workpiece by this machine.
17. Be sure that key and adjusting wrenches have been removed before turning power on.
18. Use only accessories designed for the machine.
19. Make sure the tool is properly grounded according to the local safety regulation.
20. Always disconnect tool before servicing and when changing accessories such as sanding belts.
21. Hold material firmly against the table.
22. Use ONLY recommended accessories. Use of accessories NOT recommended by us may result in a risk of injury.
23. Do not use this sanding machine for other than its intended use. If used for other purpose, we disclaim any real or implied warranty and hold ourselves harmless for any injury, which may result from that use.

⚠ WARNING

Do not attempt assembly or operation of this machine before reading the entire contents of this manual!
Failure to comply may cause serious injury!

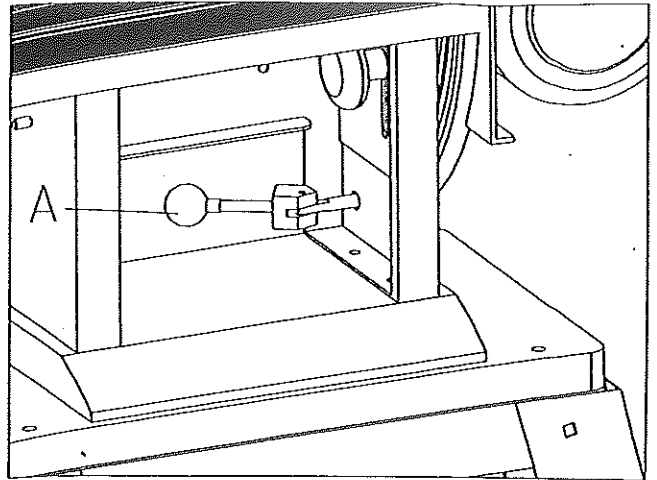


Fig. 1

1. Finish removing all contents from the shipping Container.
2. Clean all rust protected surfaces with a mild solvent. Do not use paints or lacquer thinner, gasoline, or mineral spirits; these will damage paint surfaces.
3. Sanding platen is presently in a horizontal position. Pull lock handle (A. fig. 1) to unlock platen assembly, tilt sanding platen to the vertical position, and push lock handle to lock platen assembly in place. Note: do not turn lock handle. Turning or rotating the lock handle will change the tension of the locking assembly. This may cause the locking assembly not to work; making it necessary for adjustment before using the machine.
4. Remove two lock knobs (A. fig. 2) for belt guard and remove the belt guard. Take out sanding belt packed in the belt guard.
5. Place handle (B. fig. 2) on belt tensioning shaft. move handle to take tension off the mechanism.
6. Observe direction arrow on inside of sanding belt. Make sure that direction arrow on belt matches direction indicator arrow on the belt cover.
7. Place belt on both rollers so that the edge of the belt is even with the edge of the rollers.
8. Tension the belt by moving the tension handle lever (B. fig. 2) to the right. Rotate the belt by hand in the direction indicated by the arrow on the belt guard. If belt tracking needs adjustment, see "Belt Tracking Adjustment" on page 6.

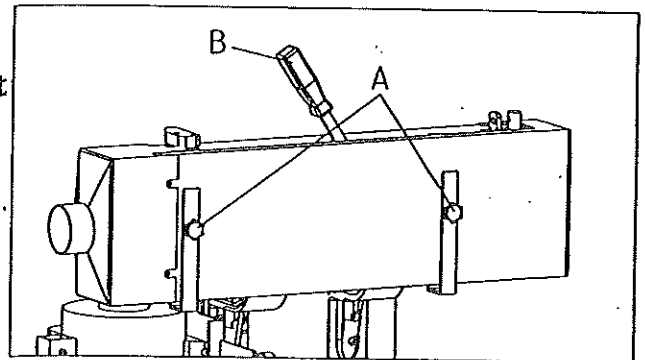


Fig. 2

9. To attach the extension table: Remove the end belt cover and attach the extension bracket (A. Fig. 3) using three hex cap bolts, and washers.

10. Fasten the extension table (B. fig. 3) to the support rod and tighten lock knob. A small mounting bracket goes on the backside of the extension bracket that is fastened with two bolts and washers.

Note: After connecting to the power source, turn on the power to the machine just enough to start the belt rotating and then turn off. Do this several times and observe belt tracking. Adjust as necessary.

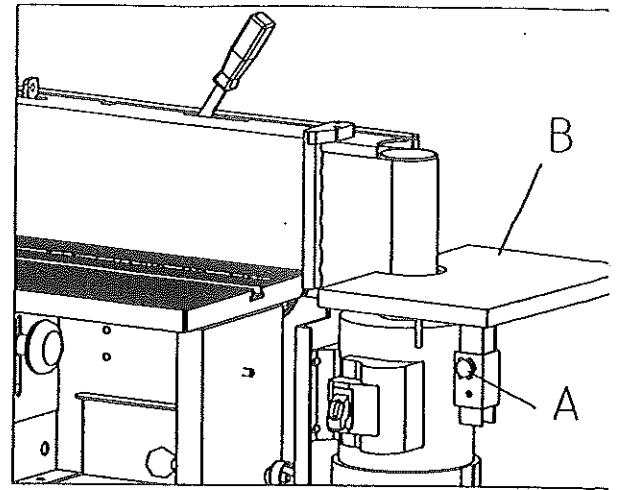


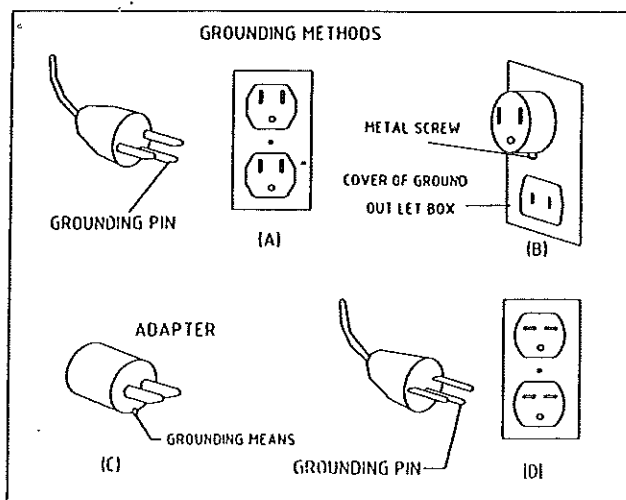
Fig.3

ELECTRICAL INSTRUCTIONS

The motor has been designed for a specific voltage and frequency. Check the voltage of your power outlet before connecting to the power source; make sure the power outlet correspond with the motor voltage.

If power outlet doesn't correspond with the motor voltage do not attempt to modify. A qualified electrician must be contacted to perform the installation for proper voltage to the power outlet.

Machine must be properly grounded before connecting into the power source, if in doubt for proper grounding contact a qualified electrician.



Proper grounding methods

**ADDITIONAL TOOLS
REQUIRED**

1. Large flat-head screwdriver.
2. No. 1 cross point screwdriver.
3. Adjustable wrench.

NOTE: Use of sockets and ratchet will decrease assembly time but are not required.

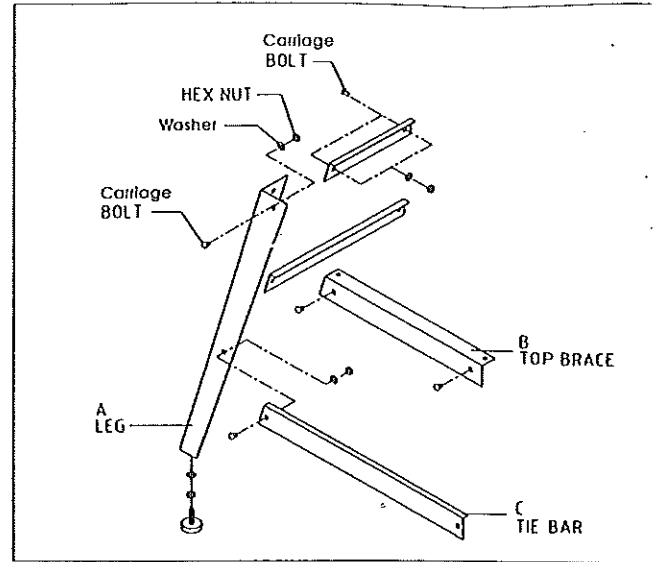


Fig.4

ASSEMBLY STAND FIG. 1

1. Attach legs (A) to top brace (B) using carriage bolts, lock washers supplied. Do not tighten at this time.
2. Attach tie bars (C) to legs (A) using supplied hardware. Be sure to line up the two longer tie bars under the longer sides of the top braces. Hand tighten only.
3. Place stand on level surface, square up any legs and tighten all nuts firmly.

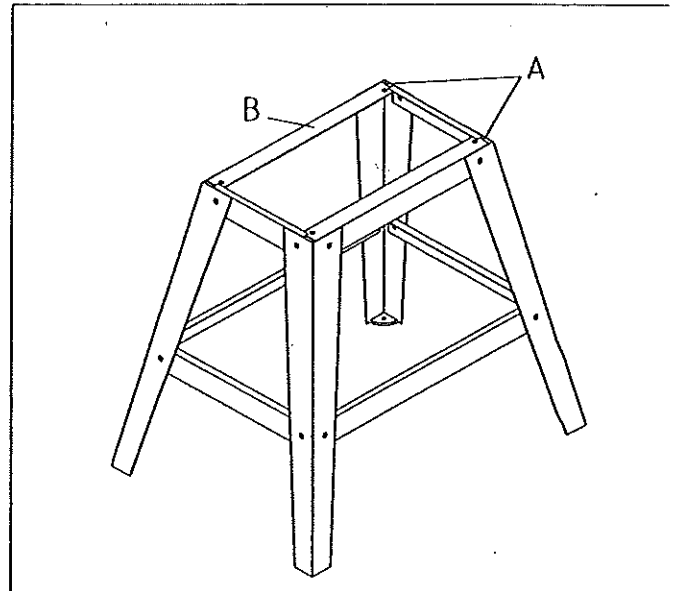


Fig.5

WARNING

Removing the belt guard exposes more of the Sanding belt! Replace the belt guard immediately after completing any sanding that requires it's removal!
Failure to comply may cause serious injury!

1. Disconnect the machine from the power source.
2. Remove two lock knobs (A. Fig. 6) and the belt Cover (B. Fig. 6).
3. Lock table in the vertical or horizontal position.
4. Connect the machine to the power source.

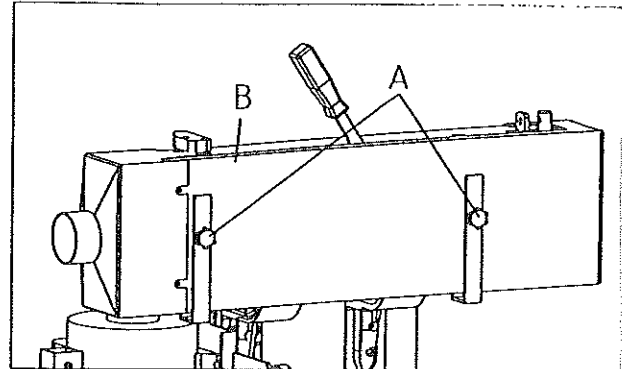


Fig.6

Adjustments

Sanding Platen Angle Adjustment

1. Disconnect the machine from the power source.
2. Release handle (A. Fig. 7)
3. Move sanding platen to desired position and hold while locking handle.

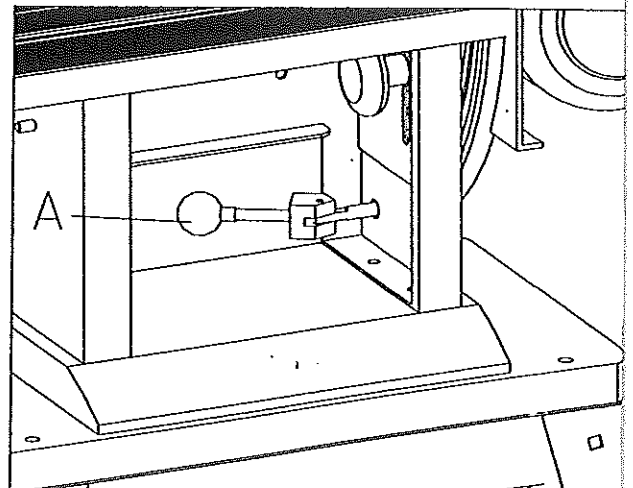


Fig.7

Platen Lock Tension Adjustment

1. Disconnect the machine from the power source.
2. Loosen lock handle (A. Fig. 8) and move motor and sanding table toward the horizontal position. Do not lock.

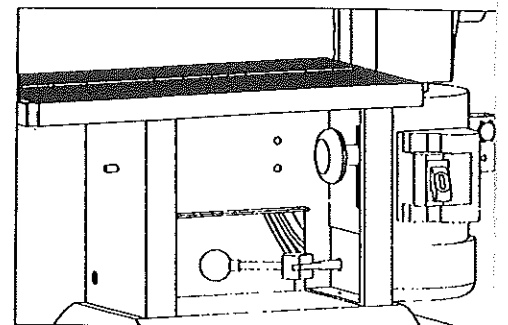


Fig.8

Changing the Sanding Belt

1. Disconnect the machine from the power source.
2. Lock sanding platen in the vertical position.
3. Release tension on the belt by pushing handle (A. Fig. 9) to the left (as the operator faces the machine)
4. Carefully remove old belt. Observe direction arrow on inside of sanding belt. Make sure that direction arrow on belt matches direction indicator arrow on the belt cover. Install new belt over both rollers and line up edge of belt with edge of rollers.
5. Tension belt by pushing handle to the right.

Note: Belts stretch with wear. You may have to adjust tracking with a new belt.

Belt Tracking Adjustment

1. Disconnect the machine from the power source.
2. Push the belt by hand in the direction indicated on the belt cover. Observe the belt position on the rollers. Edge of belt should be even with the edge of the rollers.
3. Insert driver wrench (A. Fig. 10) supplied with the machine into belt tracking adjusting knob (B. Fig. 10) and turn front to back or back to front until belt tracks evenly on the rollers when rotated by hand.
4. Connect the machine to power.
5. Turn on the power to the machine just enough to start the belt rotating and then turn off. Do this several times and observe belt tracking. Adjust as necessary.

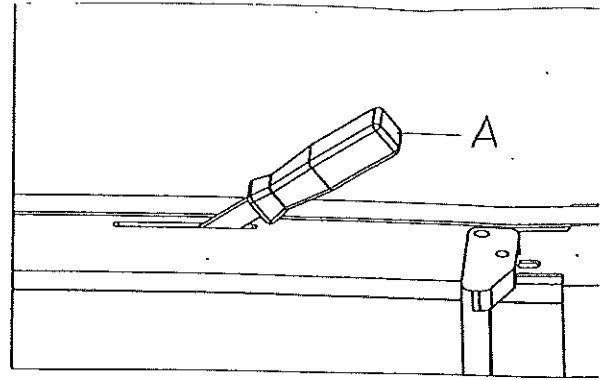


Fig.9

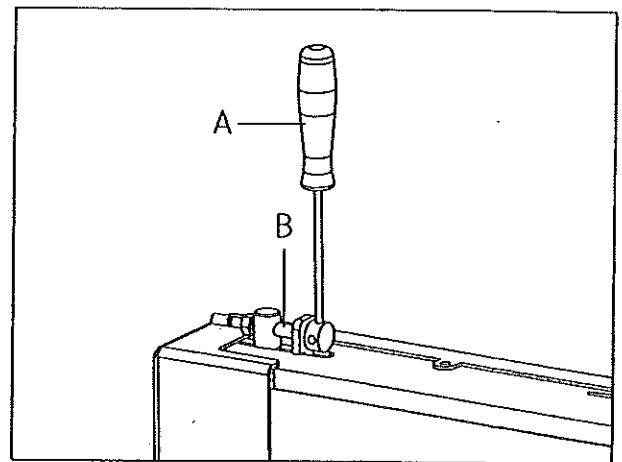


Fig.10

Table Adjustment

1. Loosen two lock knobs (A. Fig. 11)
2. Raise or lower work table to desired level.

⚠ WARNING

Do not position table below sanding belt!
Keep an overlap of at least 1/16" between table
and sanding belt to avoid material and/or fingers
getting caught
Failure to comply may cause serious injury

3. Tighten two lock knobs.

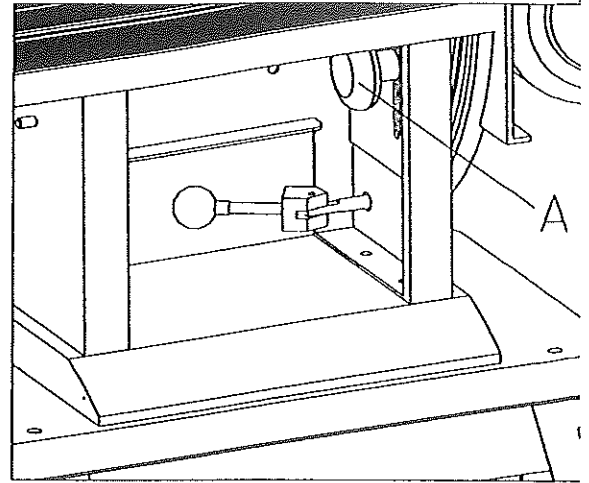
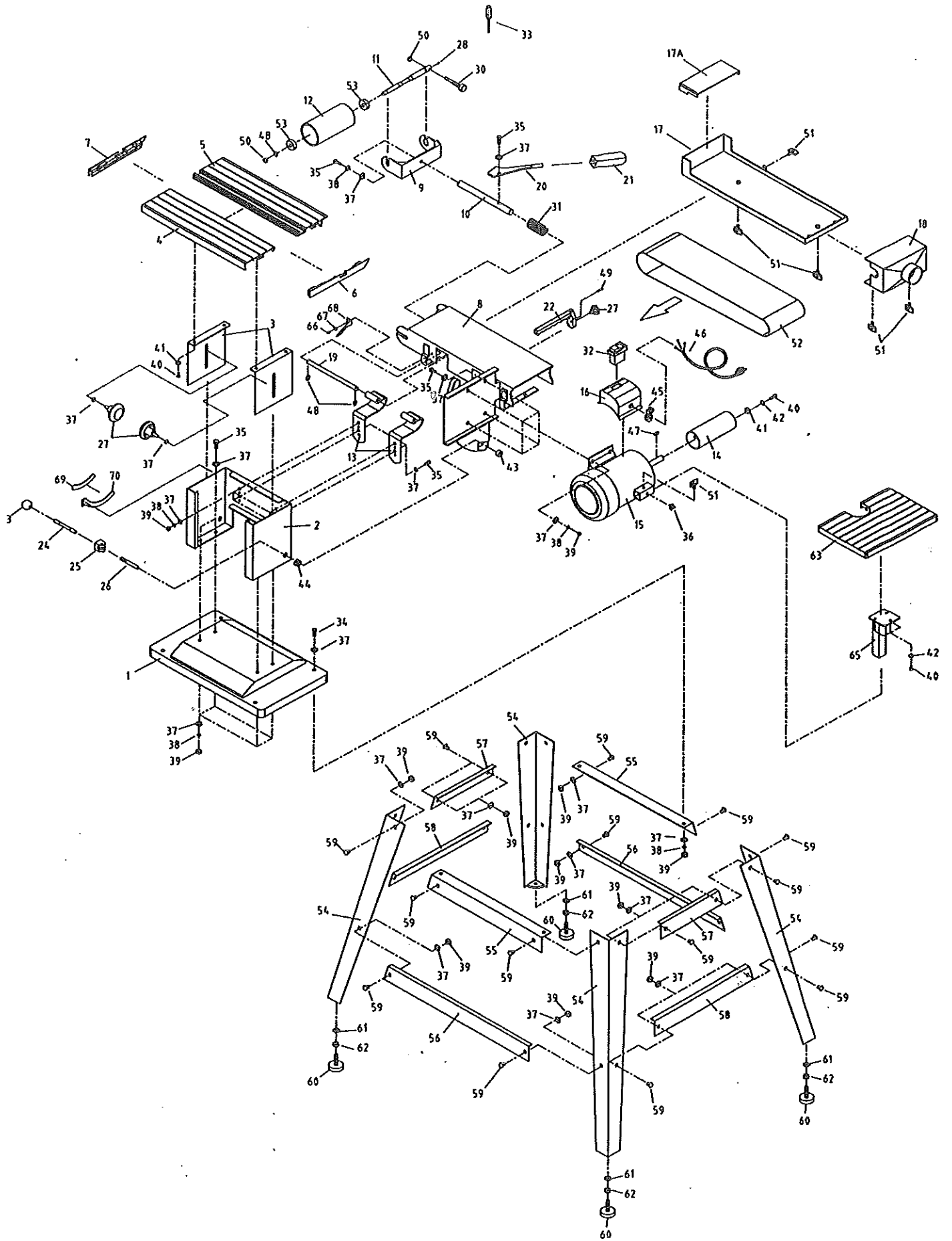


Fig. 11

General maintenance

Any maintenance, cleaning and operations **MUST** be carried out with the machine and related electrical equipment disconnected from the mains power supply.

1. Periodically check all working parts for efficiency and lubricate them if necessary
2. Always keeps the sanding belt in good condition, when it is wearied/damaged then change it immediately
3. Remove chip/dust around the machine (especially at motor compartment and rotating parts) at the end of using this machine every day.



PARTS LIST FOR BOY-6X48

PART NO.	DESCRIPTION	REF No.	QTY
001	Base	21100001	1
002	Cabinet	21100002	1
003	Up-Down Plate	20101002	2
004A	Table	21100028	1
008	Sanding Cloth Platform	21100008	1
009	Driven Roller Bracket	21100009	1
010	Shaft	21100010	1
011	Arbor	21100011	1
012	Driver Roller	21100012	1
013	Bracket	21000010	2
014	Motor roller	21100013	1
015	Motor	M000000	1
016	Switch cover	21100016	1
017	Belt Cover	21100014	1
017A	Belt Cover(Small)	21100014A	1
018	Dust Hood	21100015	1
019	Shaft	21100017	1
020	Belt Tension Arm	20101031	1
021	Handle	2101032a	1
022	Bracket	20101040	1
023	Hand Knob	10102023	1
024	Bolt	10102024	4
025	Cam Eccentric	20101007	1
026	Adjusting Screw	20101005	1
027	Knob	20101024	3
028	Micro-Adjusting Ball	20103029B	1
030	Micro-Adjusting Screw	21000007	1
031	Spring	21100018	1
032	Switch	W000000	1
033	Belt Tension Driver	20103044	1
034	Hex. Screw 5/16"x2-1/2"	S0020540	4
035	Hex. Screw 5/16"x1"	S0020501	14
036	Screw Knob 5/16"x1-1/2"	21000027	1
037	Flat Washer 5/16"	S0210501	52

PARTS LIST FOR BOY-6X48

PART NO.	DESCRIPTION	REF No.	QTY
038	Spring Washer 5/16"	S0230506	17
039	Nut 5/16"	S0110500	28
040	Hex. Screw 1/4"x3/4"	S0020412	8
041	Flat Washer 1/4"	S0210403	5
042	Spring Washer 1/4"	S0230400	4
043	Nut 3/8"	S0120380	1
044	Spacer	20101055	1
045	Strain Relief	S1006P1	1
046	Cord	L0000000	1
047	Key 5x5x15	S0400415	1
048	C Ring STW-12	S0521200	3
049	Pin	S0310420	1
050	Nut 1/4"	S0120200	2
051	Screw Knob	21100019	6
052	Sanding Belt	21100029	1
053	Bearing 6201	C1106201	2
054	Front Stand	21100020	4
055	Upper Angle Plate	21100021	2
056	Middle Plate	21100022	2
057	Upper Base Support	21100023	2
058	Middle Support Plate	21100024	2
059	Carriage Bolt 5/16"x1/2"	S0060508	16
060	Rubber Feet	11107098	4
061	Flat Washer	S0210623	4
062	Nut	S0110600	4
063	Extension Table	21100025	1
065	Supporting Rod	21100027	1
066	Screw 3/16"-24UNCx1/2"	S0030308	1
067	Spring Washer 3/16"	S0230300	1
068	Pointer	21000024	1
069	Scale Label	J2100028	1
070	Scale	21000029	1
071	Knob Screw 5/16"x3/4"	21000031	1

PARTS LIST FOR BOY-6X48

PART NO.	DESCRIPTION	REF No.	QTY
072	Warning Stick Paper(Adjustment)	J21000032	1
073	Warning Stick Paper(Tight Loose)	J21000033	1
074	Warning Stick Paper(Arrow)	J21000034	1
075	Warning Stick Paper(Dust)	J21100035	1
076	Warning Stick Paper(On/Off)	J21000036	1
086	Knob Screw M8x35	20101039	1
087	Screw 5/16"x1 1/2"	S0020529	1