






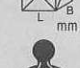



# LEDACRAFT PT-107

## Optional:

- ◆ Mobile Wheel Kit
- ◆ Mortising Attachment



MODEL	PT107
	230V~,50Hz,2200W 400V,3~,50Hz,3000W 110V~,60Hz;220V,3~,60Hz motor available
	D=75 mm N=3 260x18,5x1 mm @4000 rpm
	$\Delta_{max}$ =3 mm W= 265mm
	$\Delta_{2max}$ =2 mm v=5m/min W <sub>2</sub> = 265mm
	LxB=1110x265 mm h= 5-190 mm L <sub>1</sub> xB <sub>1</sub> =600x258 mm
	L <sub>2</sub> xB <sub>2</sub> =1125x130mm β= 90°-45°
	100 mm
	1155x525x955 mm <sup>3</sup>
	162/192 Kg

## PT-107 PLANER & THICKNESSER